



SCATTER LOVE

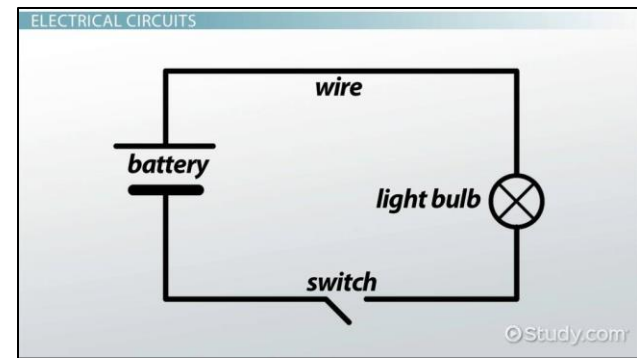
1 Cor 13:1-3

1 Corinthians 13:1-3 [1] If I speak in the tongues of men and of angels, but have not love, I am a noisy gong or a clanging cymbal. [2] And if I have prophetic powers, and understand all mysteries and all knowledge, and if I have all faith, so as to remove mountains, but have not love, I am nothing. [3] If I give away all I have, and if I deliver up my body to be burned, but have not love, I gain nothing.

1) Love is _____ a negotiable part of faith.

John 13:34-35 [34] A new commandment I give to you, that you love one another: just as I have loved you, you also are to love one another. [35] By this all people will know that you are my disciples, if you have love for one another.”

2) Love _____, _____.



1 John 4:19

We love because he first loved us.

--SO--

3) Don't _____ the circuit.

#1 WHAT HAS GOD GIVEN YOU TO SOW?
#2 WHAT DOES IT MEAN FOR YOU TO GO?
#3 ARE YOU SOWING THE WORD?
#4 DO YOU (ACTUALLY) LOVE PEOPLE?

DIGGING DEEPER

1. Does Paul's emphasis on love in 1 Cor. 13:1-3 surprise you? Do you find yourself wanting to disagree with him?
2. In what ways do we treat love as "negotiable?"
3. Who doesn't fall into the statement, "Love everybody, always."
4. What is the biggest struggle you have with loving people?
5. Do Paul's words challenge you on your love for people? In what way?
6. What do you want to take from this into the next weeks/months/years of your life?